

STATE OF NORTH CAROLINA

Return to: Project Mgmt Dept/Water Quality  
100 N. King Street – Suite 118  
Hendersonville, NC 28792

COUNTY OF HENDERSON

## Appendix A

### Proprietary System – StormTech System Operation and Maintenance Agreement

This maintenance record will be kept in a log in a known set location. Any deficient BMP elements noted in the inspection will be corrected, repaired or replaced immediately. These deficiencies can affect the integrity of structures, safety of the public, and the removal efficiency of the BMP.

#### Inspection

At a minimum, annual inspections are required. Initially, the Isolator Row should be inspected every 6 months for the first year of operation. For subsequent years, the inspection should be adjusted based upon previous observation of sediment deposition.

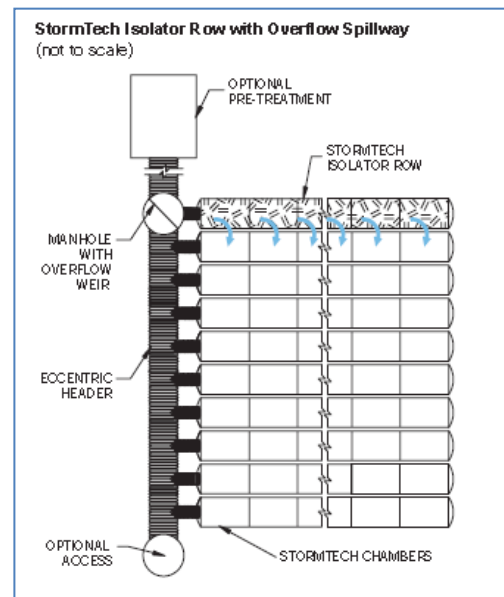
The Isolator Row incorporates a combination of standard manhole(s) and strategically located inspection ports (as needed). The inspection ports allow for easy access to the system from the surface, eliminating the need to perform a confined space entry for inspection purposes.

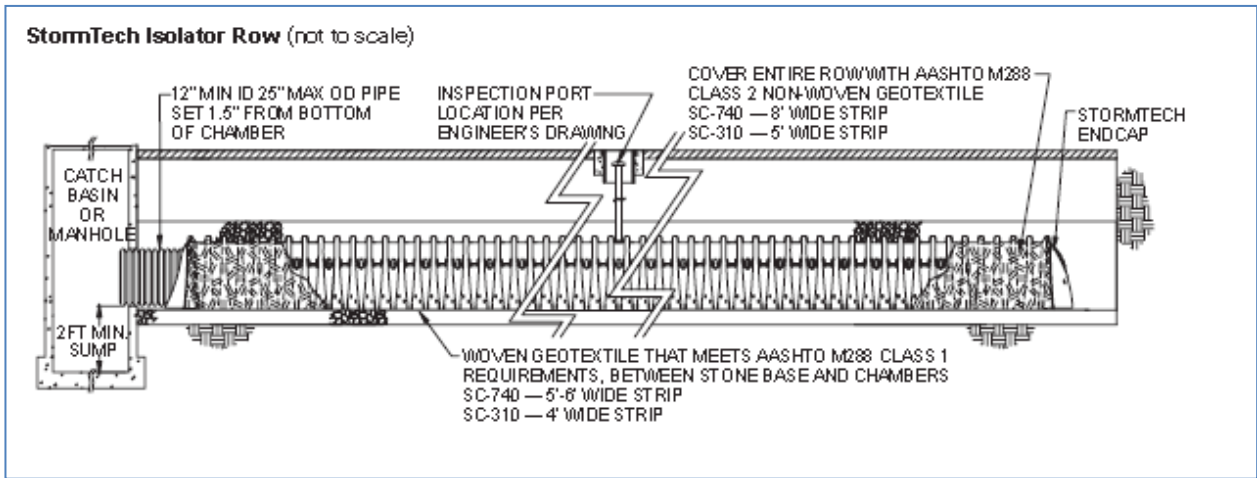
If upon visual inspection it is found that sediment has accumulated, a stadia rod should be inserted to determine the depth of sediment. When the average depth of sediment exceeds 3 inches throughout the length of the Isolator Row, clean out should be performed.

#### Maintenance

The Isolator Row was designed to reduce the cost of periodic maintenance. By “isolating” sediments to just one row, costs are dramatically reduced by eliminating the need to clean out each row of the entire storage bed. If inspection indicates the potential need for maintenance, access is provided via a manhole(s) located on the end(s) of the row for cleanout. If entry into the manhole is required, please follow local and OSHA rules for a confined space entries.

Maintenance is accomplished with the JetVac process. The JetVac process utilizes a high-pressure water nozzle to propel itself down the Isolator Row while scouring and suspending sediments. As the nozzle is retrieved, the captured pollutants are flushed back into the manhole for vacuuming. Most sewer and pipe maintenance companies have vacuum/JetVac combination vehicles. Selection of an appropriate JetVac nozzle will improve maintenance efficiency. Fixed nozzles designed for culverts or large diameter pipe cleaning are preferable. Rear facing jets with an effective spread of at least 45” are best. Most JetVac reels have 400 feet of hose allowing maintenance of an Isolator Row up to 50 chambers long. **The JetVac process shall only be performed on StormTech Isolator Rows that have AASHTO class 1 woven geotextile (as specified by StormTech) over their angular base stone.**





## **Isolator Row Step by Step Maintenance Procedures**

### **Step 1) Inspect Isolator Row for sediment**

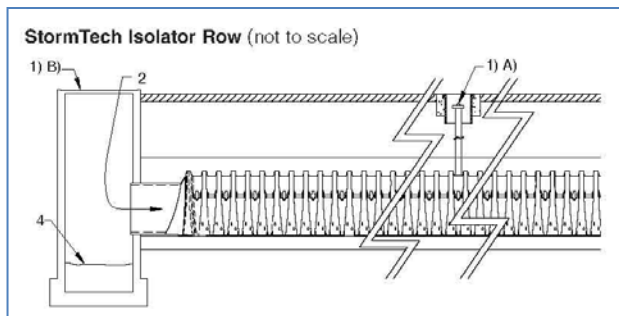
- A) Inspection ports (if present)
  - i. Remove lid from floor box frame
  - ii. Remove cap from inspection riser
  - iii. Using a flashlight and stadia rod, measure depth of sediment and record results on maintenance log.
  - iv. If sediment is at, or above, 3 inch depth proceed to Step 2. If not proceed to step 3.
- B) All Isolator Rows
  - i. Remove cover from manhole at upstream end of Isolator Row
  - ii. Using a flashlight, inspect down Isolator Row through outlet pipe
    1. Mirrors on poles or cameras may be used to avoid a confined space entry
    2. Follow OSHA regulations for confined space entry if entering manhole
  - iii. If sediment is at or above the lower row of sidewall holes (approximately 3 inches) proceed to Step 2. If not proceed to Step 3.

### **Step 2) Clean out Isolator Row using the JetVac process**

- A) A fixed culvert cleaning nozzle with rear facing nozzle spread of 45 inches or more is preferable
- B) Apply multiple passes of JetVac until backflush water is clean
- C) Vacuum manhole sump as required

### **Step 3) Replace all caps, lids and covers, record observations and actions**

### **Step 4) Inspect & clean catch basins and manholes upstream of the StormTech system**



---

I acknowledge and agree by my signature below that I am responsible for the performance of the maintenance procedures listed above. I agree to notify Henderson County Project Mgmt Department of any problems with the system or prior to any changes to the system or responsible party.

Project name: \_\_\_\_\_

Print name: \_\_\_\_\_

Title: \_\_\_\_\_

Address: \_\_\_\_\_

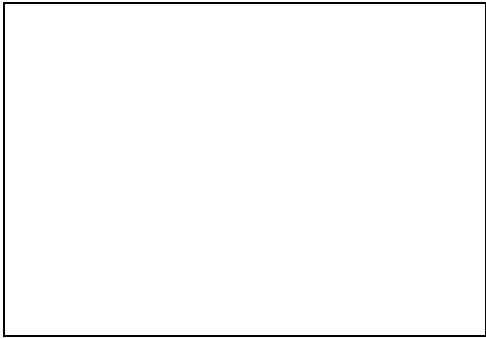
Phone: \_\_\_\_\_

Signature: \_\_\_\_\_

Date: \_\_\_\_\_

**Note:** The legally responsible party should not be a homeowners association unless more than 50% of the lots have been sold and a resident of the subdivision has been named the president.

I, \_\_\_\_\_, a Notary Public for the State of \_\_\_\_\_, County of \_\_\_\_\_, do hereby certify that \_\_\_\_\_ personally appeared before me this \_\_\_ day of \_\_\_\_\_, \_\_\_\_\_, and acknowledge the due execution of the forgoing BMP maintenance requirements. Witness my hand and official seal,



SEAL

My commission expires \_\_\_\_\_