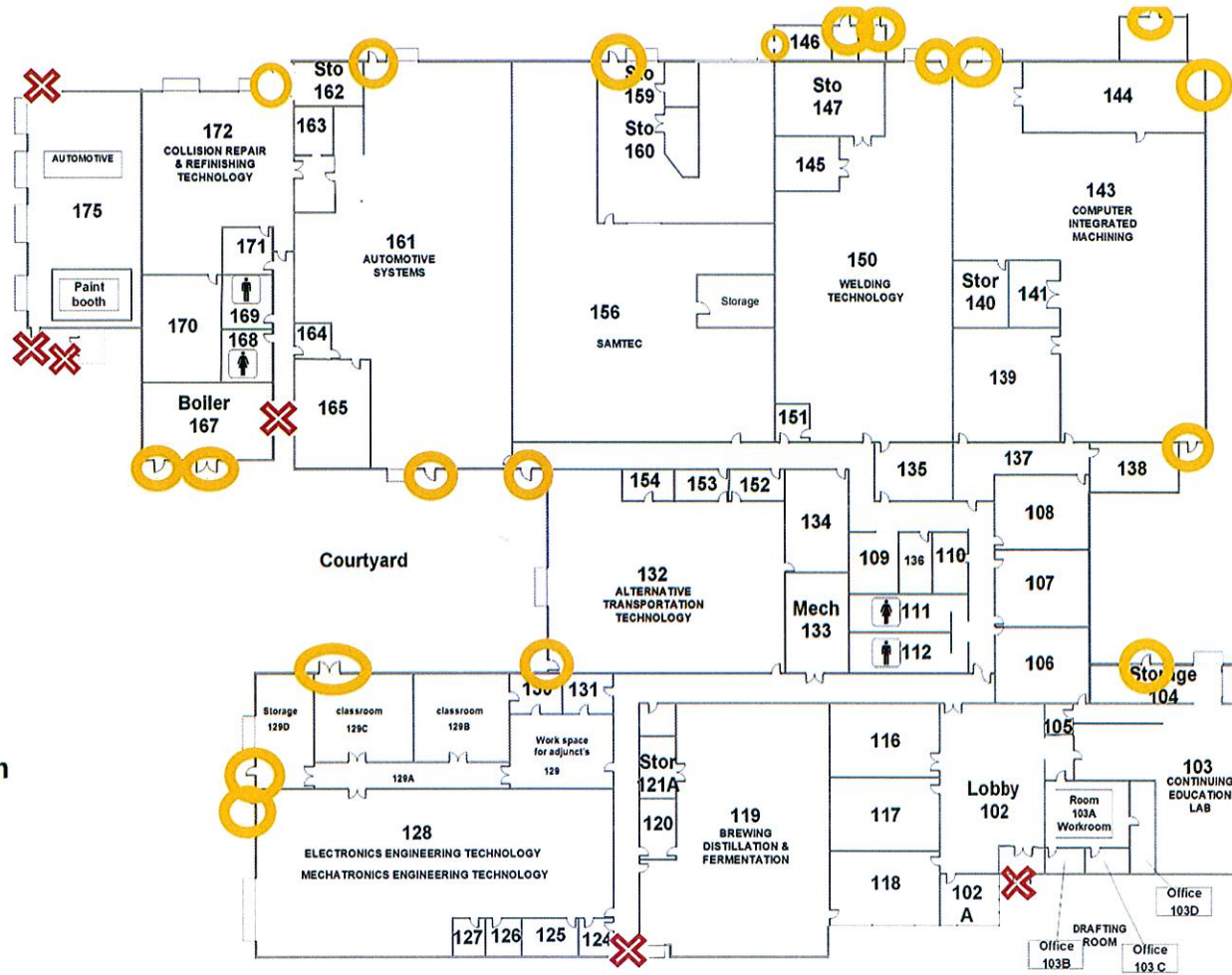
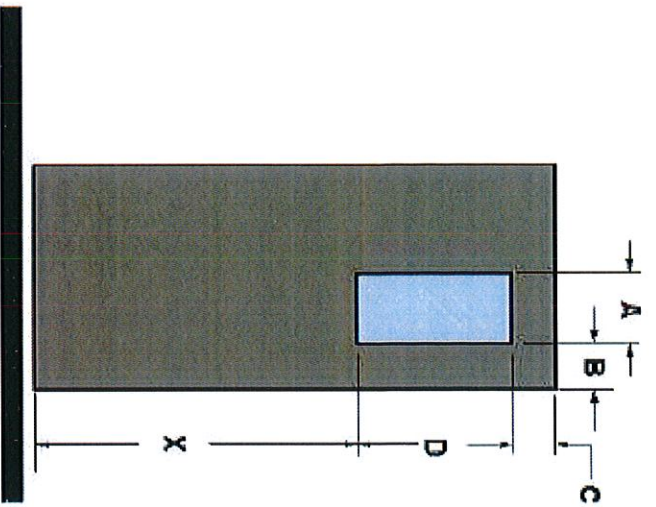


**Spearman
Bldg.**



Door Locations (circles denote doors to be replaced). (18) single doors and (2) double doors.



A: 5
B: 6
C: 12
D: 32

X: 40

UIC: 318